



**C**  **NSEPT**  **▲** **FY**



# OVERVIEW

**Tagline--we are here with a mission to enlighten india,believe in recycling and grow digitally.**

**Overview--we are young organization working aggressively in making a electrified,pollution free and digitally sound india. we are fast growing organization delivering excellence supported by a blend of brillant mind,dynamic culture and extraordinary work.**

#### **What we do--**

**Believing that electrification is must for a country to grow and prosper digitally as well as econimically, we bring to you the product of future that helps efficient consumption of electricity. our products include over 900 different type of electronic item ranging from various categories of LEDs that can be used for indoor as well as outdoor lighting,sensor and wide rang of driver circuit.**

#### **Who we are--**

**we are group of highly telented ,flexible and energetic engineers teaming up to from a fast growing organisation with a vision to contribute to india's development.**

**we bring together our exprience,knowledge,skill and passion to deliver the best to the society.**

# **PRODUCT CATALOGUE**

**Constant Current AC-DC LED Drivers**

**Isolated & Non Isolated Tube Light LED Drivers**

**Street Light Drivers**

**DC - DC LED Drivers**

**Constant Voltage LED Drivers**

**Dimmable LED Drivers & Lights**

**Sensor Based LED Lights**

**Indoor Lights**

**Outdoor Lights**

**Industrial Lights**

**IOT Based Projects**

**Smart Home Appliances**

# Constant Current DC-DC LED Driver



MODEL NO.= C-CDD-3W  
POWER= 1-3W  
INPUT VOLTAGE=12VDC/24VDC  
P.F.= >0.9  
THD= <15  
Efficiency= >85%



MODEL NO.= C-CDD-20W  
POWER= 14-20W  
INPUT VOLTAGE=12VDC/24V DC



MODEL NO.= C-CDD-5W  
POWER= 4-5W  
INPUT VOLTAGE=12VDC/24V DC  
P.F.= >0.9



MODEL NO.= C-CDD-24W  
POWER= 24W  
INPUT VOLTAGE=12VDC/24V DC



MODEL NO.= C-CDD-8W  
POWER= 6-8W  
INPUT VOLTAGE=12VDC/24V DC



MODEL NO.= C-CDD-32W  
POWER= 32W  
INPUT VOLTAGE=12VDC/24V DC



MODEL NO.= C-CDD-12W  
POWER= 9-12W  
INPUT VOLTAGE=12VDC/24V DC  
P.F.= >0.



MODEL NO.= C-CDD-48W  
POWER= 48W  
INPUT VOLTAGE=12VDC/24V DC  
P.F.= >0.

# Constant Current AC-DC LED Driver



MODEL NO.= C-CAD-3W  
POWER= 1-3W  
INPUT VOLTAGE= 140 to 270 VAC  
P.F.= >0.9  
THD= <15  
Efficiency= >85%



MODEL NO.= C-CAD-20W  
POWER= 14-20W  
INPUT VOLTAGE=140 to 270 VAC  
P.F.= >0.95  
THD= <10  
Efficiency= >90%



MODEL NO.= C-CAD-5W  
POWER= 4-5W  
INPUT VOLTAGE=140 to 270 VAC  
P.F.= >0.9  
THD= <15  
Efficiency= >85%



MODEL NO.= C-CAD-24W  
POWER= 24W  
INPUT VOLTAGE=140 to 270 VAC  
P.F.= >0.95  
THD= <10  
Efficiency= >90%



MODEL NO.= C-CAD-8W  
POWER= 6-8W  
INPUT VOLTAGE=140 to 270 VAC  
P.F.= >0.9  
THD= <15  
Efficiency= >85%



MODEL NO.= C-CAD-32W  
POWER= 32W  
INPUT VOLTAGE=140 to 270 VAC  
P.F.= >0.95  
THD= <10  
Efficiency= >90%



MODEL NO.= C-CAD-12W  
POWER= 9-12W  
INPUT VOLTAGE=140 to 270 VAC  
P.F.= >0.9  
THD= <15  
Efficiency= >85%



MODEL NO.= C-CAD-48W  
POWER= 48W  
INPUT VOLTAGE=140 to 270 VAC  
P.F.= >0.95  
THD= <10  
Efficiency= >90%

## Triac Dimmable Drivers



MODEL NO.= C-DT-10W  
POWER= 3-10W  
INPUT VOLTAGE=240  
VAC  
P.F.= >0.9  
Efficiency= >85%



MODEL NO.= C-DT-15W  
POWER= 10-15W  
INPUT VOLTAGE=240  
VAC  
P.F.= >0.9  
Efficiency= >85%



MODEL NO.= C-DT-27W  
POWER= 15-27W  
INPUT VOLTAGE=240  
VAC  
P.F.= >0.9  
Efficiency= >85%

## DALI Dimmable Drivers



MODEL NO.= C-DA-10W  
POWER= 3-10W  
INPUT VOLTAGE=240  
VAC  
P.F.= >0.9  
Efficiency= >85%



MODEL NO.= C-DA-15W  
POWER= 10-15W  
INPUT VOLTAGE=240  
VAC  
P.F.= >0.9  
Efficiency= >85%



MODEL NO.= C-DA-27W  
POWER= 15-27W  
INPUT VOLTAGE=240  
VAC  
P.F.= >0.9  
Efficiency= >85%

## Dimmable Drivers & Lights



MODEL NO.= C-DD-10W  
POWER= 3-10W  
INPUT VOLTAGE=240  
VAC  
P.F.= >0.9  
Efficiency= >85%

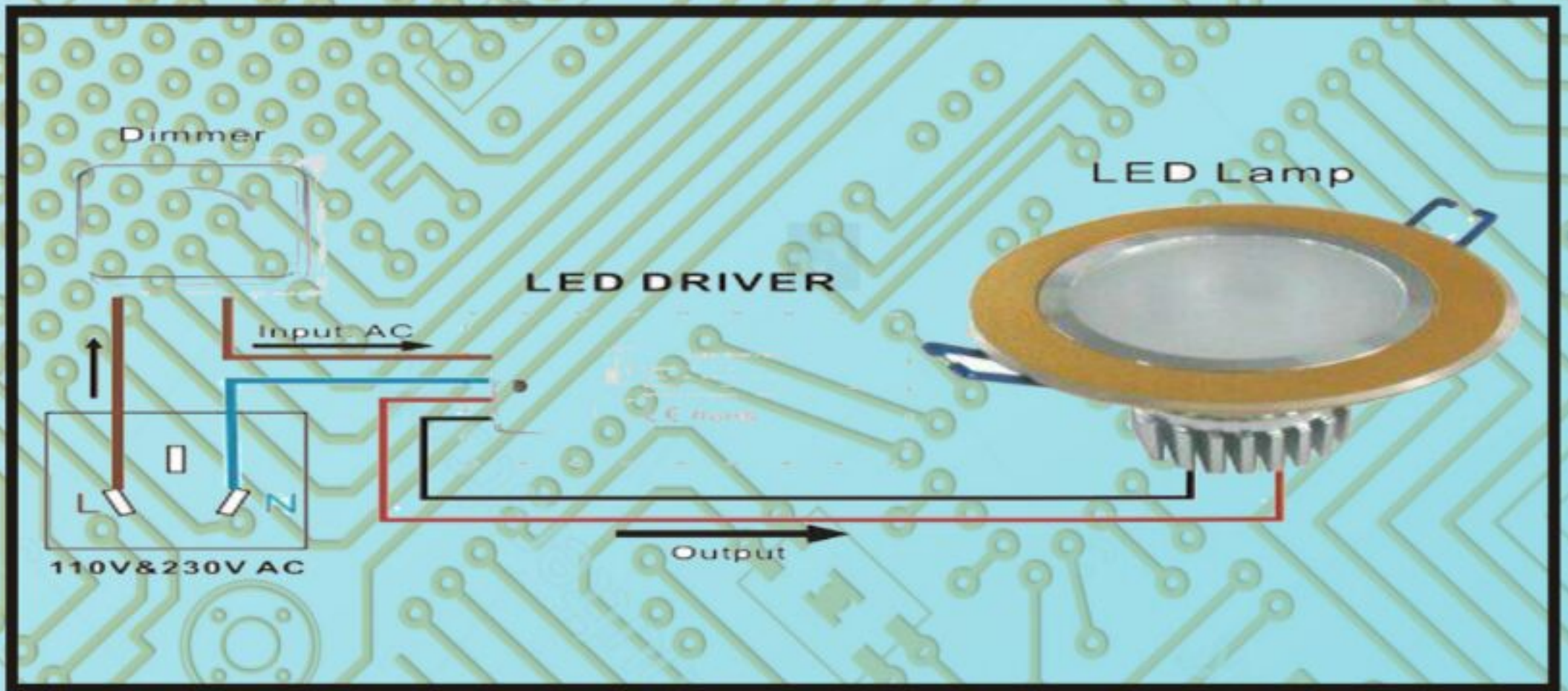


MODEL NO.= C-DD-15W  
POWER= 10-15W  
INPUT VOLTAGE=240  
VAC  
P.F.= >0.9  
Efficiency= >85%

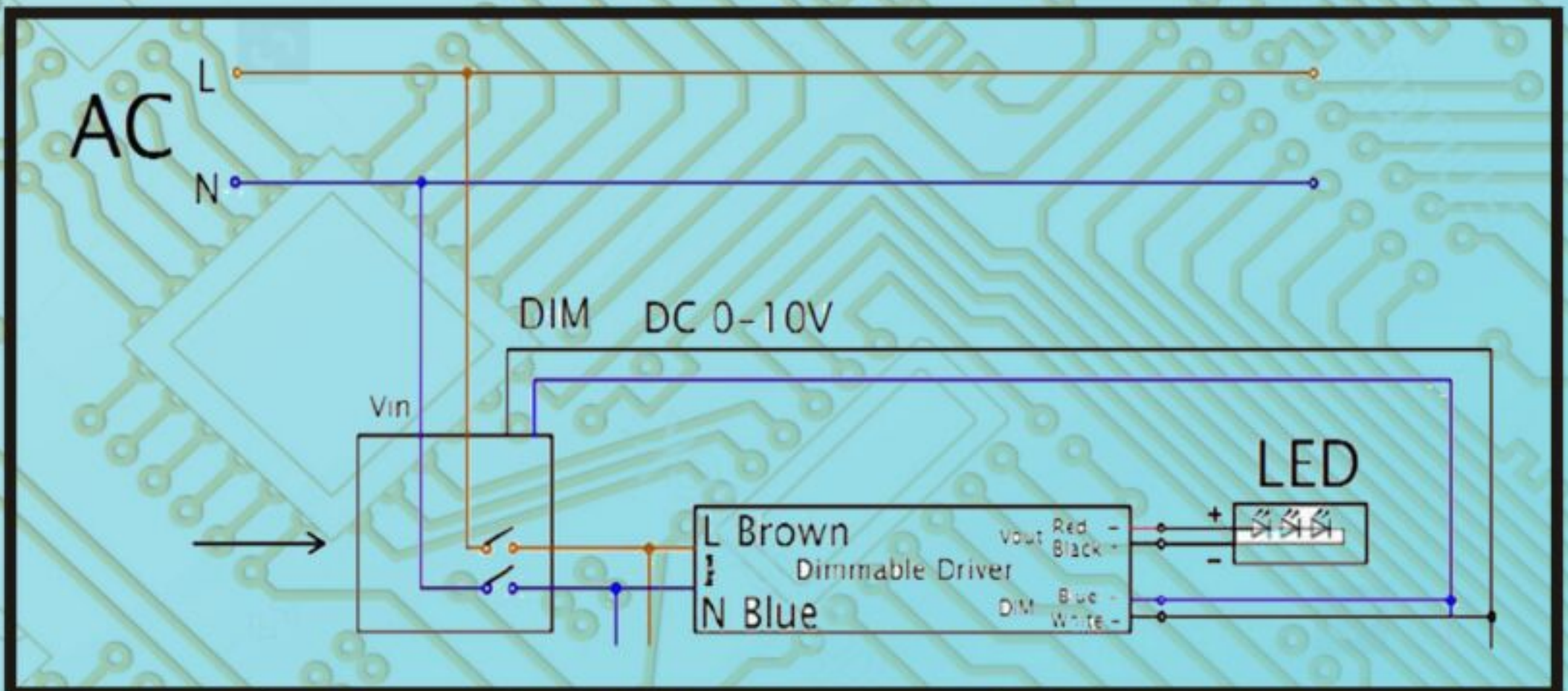


MODEL NO.= C-DD-27W  
POWER= 15-27W  
INPUT VOLTAGE=240  
VAC  
P.F.= >0.9  
Efficiency= >85%

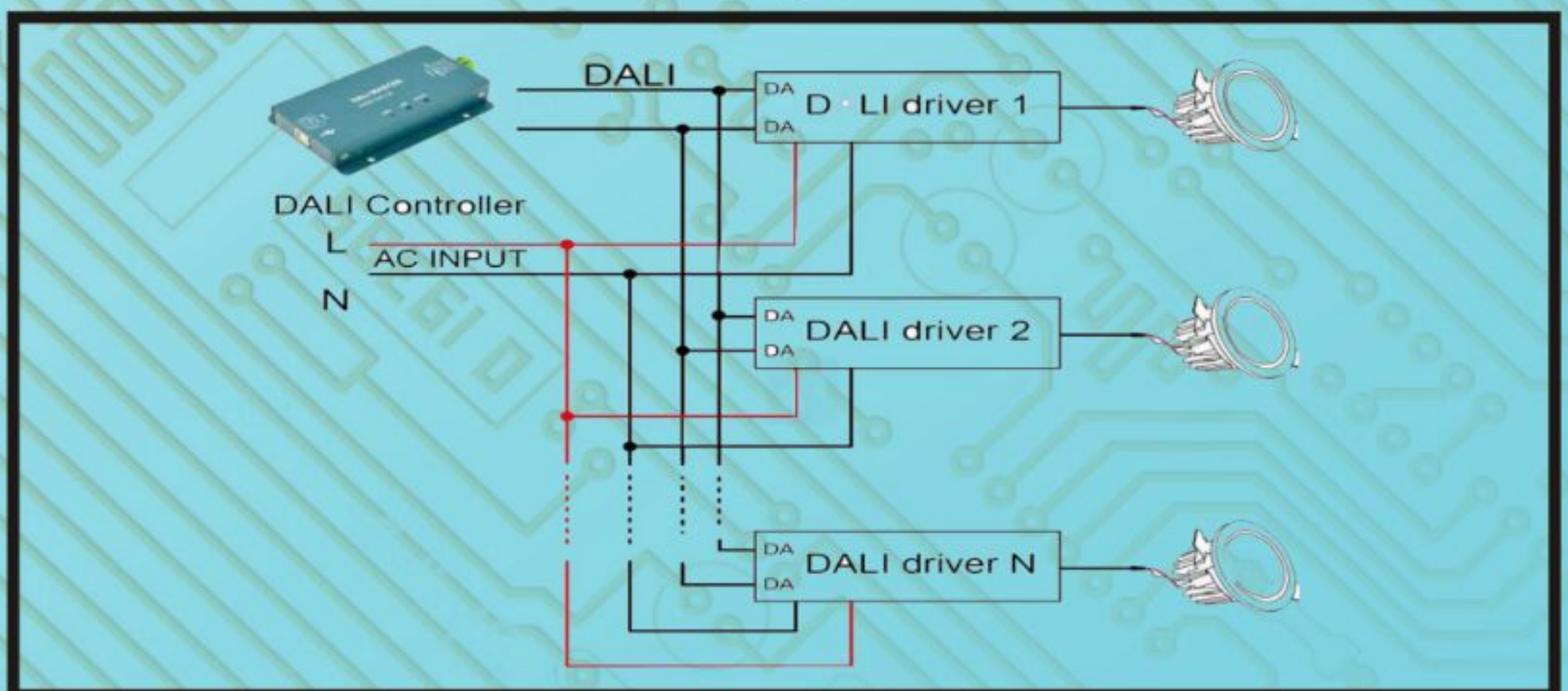
## Wiring Diagram Of Tric



## Wiring Diagram Of Analog



## Wiring Diagram Of Dali



# Sensor Based Lights occupancy



MODEL NO.= C-SENS-OCC-A  
POWER= 20W-200W  
INPUT VOLTAGE=240 VA



MODEL NO.= C-SENS-OCC-B  
POWER= 100W-200W  
INPUT VOLTAGE=24

## Pir



MODEL NO.= C-SENS-PIR-A  
POWER= 5W-18W  
INPUT VOLTAGE=240 VAC



MODEL NO.= C-SENS-PIR-B  
POWER= 20W-80W  
INPUT VOLTAGE=240 VAC



MODEL NO.= C-SENS-PIR-C  
POWER= 20W-80W  
INPUT VOLTAGE=240 VAC

## Microwave



MODEL NO.= C-SENS-MW-A  
POWER= 20W-80W  
INPUT VOLTAGE=240 VAC



MODEL NO.= C-SENS-MW-B  
POWER= 20W-80W  
INPUT VOLTAGE=240 VAC



# DIGITAL LED BULBS



MODEL NO.= C-IDLB-3W  
POWER= 3W  
INPUT VOLTAGE=240 VAC



MODEL NO.= C-IDLB-5W  
POWER= 5W  
INPUT VOLTAGE=240 VAC



MODEL NO.= C-IDLB-9W  
POWER= 9W  
INPUT VOLTAGE=240 VAC



MODEL NO.= C-IDLB-12W  
POWER= 12W  
INPUT VOLTAGE=240 VAC

# DIGITAL LED TUBELIGHTS



MODEL NO.= C-IDLT-5W  
POWER= 5W  
INPUT VOLTAGE=240 VAC



MODEL NO.= C-IDLT-10W  
POWER= 10W  
INPUT VOLTAGE=240 VAC

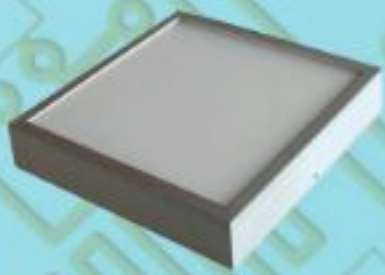


MODEL NO.= C-IDLT-19W  
POWER= 19W  
INPUT VOLTAGE=240 VAC



MODEL NO.= C-IDLT-24W  
POWER= 24W  
INPUT VOLTAGE=240 VAC

# SURFACE MOUNTED LIGHTS



MODEL NO.= C-IDSM-A-30W  
POWER= 5W to 30W  
INPUT VOLTAGE=240 VAC



MODEL NO.= C-IDSM-B-30W  
POWER= 5W to 30W  
INPUT VOLTAGE=240 VA



MODEL NO.= C-IDSM-C-30W  
POWER= 5W to 30W  
INPUT VOLTAGE=240 VAC



MODEL NO.= C-IDSM-D-30W  
POWER= 5W to 30W  
INPUT VOLTAGE=240 VAC

# FLAT PANNEL LIGHTS



MODEL NO.= C-IDFP-A-30W  
POWER= 5W to 30W  
INPUT VOLTAGE=240 VAC



MODEL NO.= C-IDFP-B-30W  
POWER= 5W to 30W  
INPUT VOLTAGE=240 VAC



MODEL NO.= C-IDFP-C-30W  
POWER= 5W to 30W  
INPUT VOLTAGE=240 VAC



MODEL NO.= C-IDFP-D-30W  
POWER= 5W to 30W  
INPUT VOLTAGE=240 VAC

# Outdoor Lights



MODEL NO.= C-ODSL-12W  
POWER= 12W  
INPUT VOLTAGE=240 VAC



MODEL NO.= C-ODSL-30W  
POWER= 30W  
INPUT VOLTAGE=240 VAC



MODEL NO.= C-ODSL-85W  
POWER= 85W  
INPUT VOLTAGE=240 VAC



MODEL NO.= C-ODSL-120W  
POWER= 120W  
INPUT VOLTAGE=240 VAC

## DIGITAL OUTDOOR LAMPS



MODEL NO.= C-ODOL-A-30W  
POWER= 5W to 30W  
INPUT VOLTAGE=240 VAC



MODEL NO.= C-ODOL-B-30W  
POWER= 5W to 30W  
INPUT VOLTAGE=240 VA



MODEL NO.= C-ODOL-C-30W  
POWER= 5W to 30W  
INPUT VOLTAGE=240 VA



MODEL NO.= C-ODOL-D-30W  
POWER= 5W to 30W  
INPUT VOLTAGE=240 VAC

## Industrial Lights



MODEL NO.= C-ILFL-A-20W  
POWER= 10W to 20W  
INPUT VOLTAGE=240 VAC



MODEL NO.= C-ILFL-B-45W  
POWER= 30W to 45W  
INPUT VOLTAGE=240 VAC



MODEL NO.= C-ILFL-C-120W  
POWER= 60W to 120W  
INPUT VOLTAGE=240 VAC



MODEL NO.= C-ILFL-D-300W  
POWER= 180W to 300W  
INPUT VOLTAGE=240



MODEL NO.= C-ILIL-A-30W  
POWER= 5W to 30W  
INPUT VOLTAGE=240 VAC



MODEL NO.= C-ILIL-B-30W  
POWER= 5W to 30W  
INPUT VOLTAGE=240 VAC



MODEL NO.= C-ILIL-C-30W  
POWER= 5W to 30W  
INPUT VOLTAGE=240 VAC



MODEL NO.= C-ILIL-D-30W  
POWER= 5W to 30W  
INPUT VOLTAGE=240 VAC

# SOLUTIONS FOR A SMART HOME

+ ENTERTAINMENT

+ SMART LIGHTING

+ COMFORT & CONVENIENCE

+ SAFETY & SECURITY



**G**  **NSEPT**   **FY**